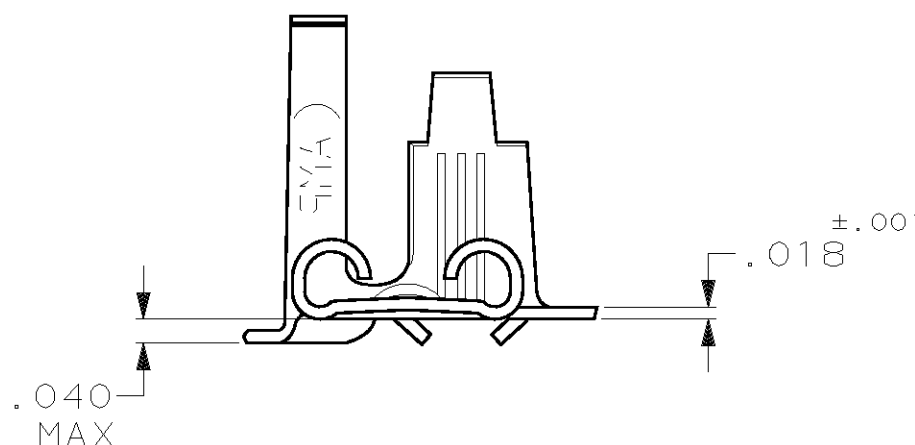
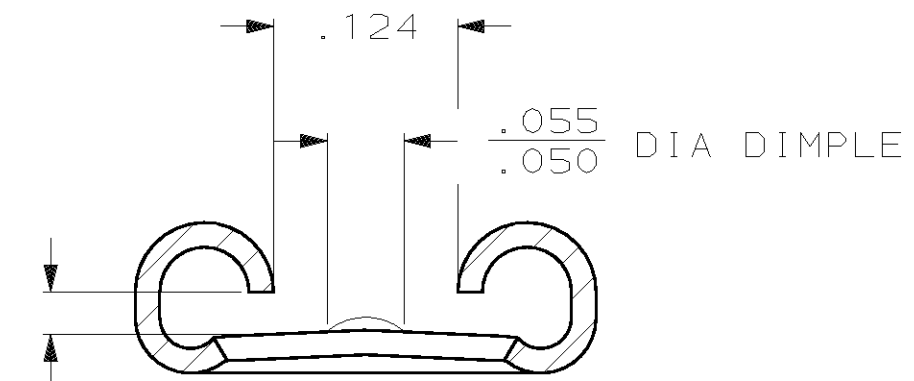
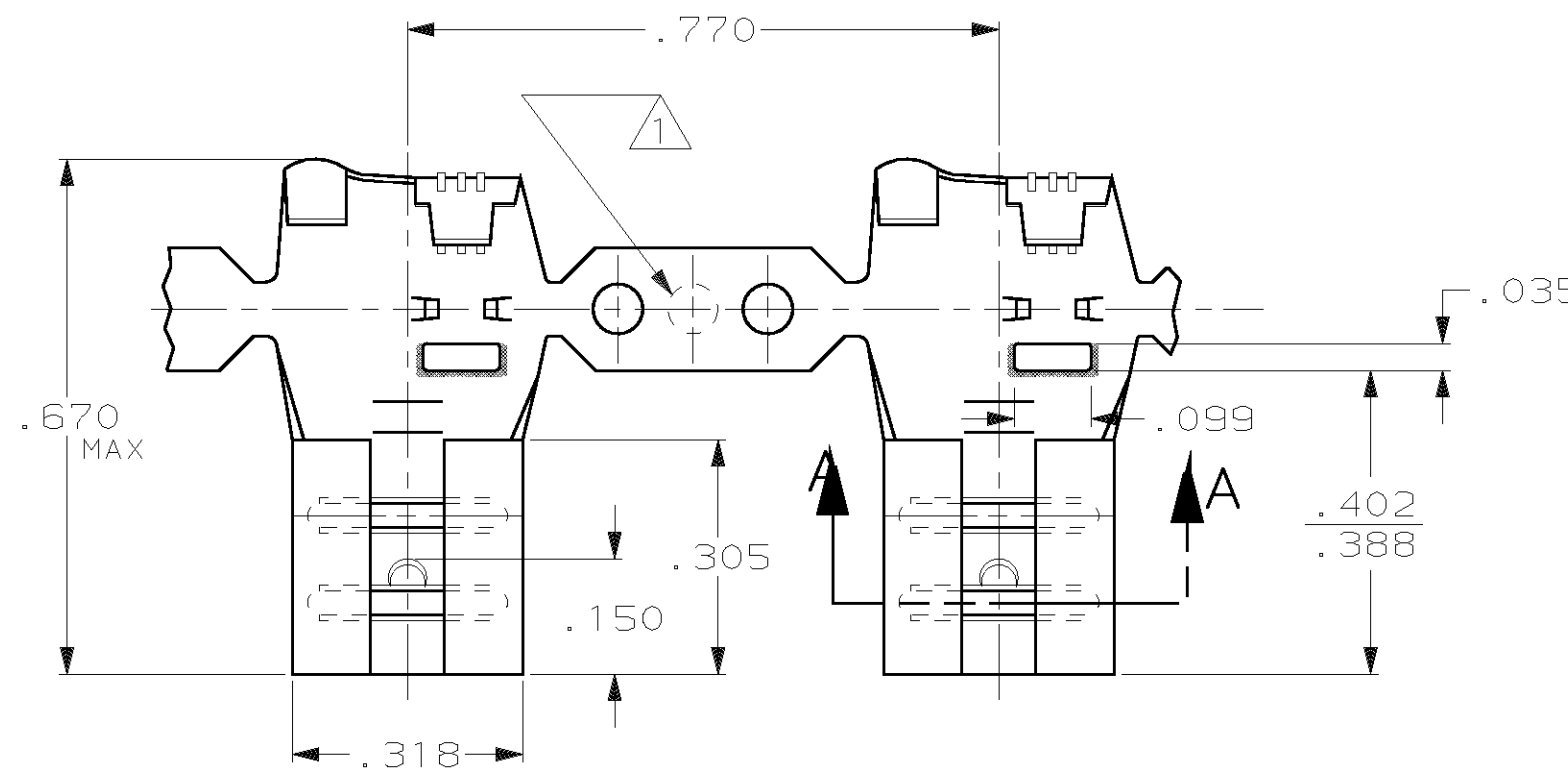


THIS DRAWING IS UNPUBLISHED. RELEASED FOR PUBLICATION, 19
 © COPYRIGHT 19 BY AMP INCORPORATED. ALL INTERNATIONAL RIGHTS RESERVED.

LOC	DIST	P	F	REVISIONS			
ZONE	LTR	DESCRIPTION	DATE	APPD			
AF	50			V	REV PER 0G3A-0010-02	14JAN02	JR/PD



.110-.210	18-12	.032	41802
INSULATION RANGE	WIRE SIZE	MATING TAB THK ±.001	PART NO
DO NOT SCALE PRINT. UNLESS SPECIFIED DIMENSIONS IN INCHES TOLERANCES ON: 2 PLC DEC ± - 3 PLC DEC ± .015 ANGLES ± -	DR 7/12/89 JR RUTH CHK 7/12/89 MS FEHER APPD 7/12/89 C MEYERS APPD 7/12/89 R KUZO	AMP INCORPORATED Harrisburg, Pa. 17105	
MATERIAL TEMP 4M BRASS	PRODUCT SPEC -	NAME RECEPTACLE, FASTON, FLAG, .250 SERIES	
FINISH .000080 MIN TIN	APPLICATION SPEC -	SIZE B	CAGE CODE 00779
	WEIGHT -	DRAWING NO 41802	SCALE 4:1
		SHEET 1 OF 1	